

Pressure gauge with bourdon tube and glycerine filling

P60.5



- With glycerine filling
- Case Ø 63 mm
- Class 1.6 accuracy
- Measuring range: 0...25 bar

APPLICATIONS

- For all gaseous and liquid fluids that are non-viscous or non-crystallizing and do not attack copper alloys
- Hydraulics and pneumatics
- Pumps and compressors

DESCRIPTION

The 63P60.5 pressure gauge, featuring bourdon tube technology, provides pressure indication for all your fluid transfer, industrial refrigeration, HVAC and water industry needs.

The pressure gauge has a stainless steel case and copper alloy wetted parts. It meets the requirements of international industrial standard EN 837-1 for pressure tube manometers.

The measuring element and movement are effectively protected by a glycerine filling in the housing. This dampens the needle's movements and makes it easier to read the pressure on the dial. At the same time, it protects and extends the life of the measuring instrument.

Installation precautions:

In the event of sudden pressure variations, such as water hammer or pulsating operation, we recommend using a pressure damper (see data sheet 816-02).

TECHNICAL DATA

Precision class	1,6
Ambient temperature	-20...+60 °C
Operating temperature	0...+60 °C
Driving element	Copper alloy C tube
Filling liquid	Glycerine
Protection rate	IP 65 – EN 60 529 / IEC 529
Process fitting	Vertical connection, 1/4" BSP thread
Mounting	Direct

Pressure limits :

Static pressure	3/4 full scale
Dynamic	2/3 full scale
Short time	Full scale

Materials :

Process fitting	Brass
Bourdon tube	Copper alloy
Case and ring	AISI 304 (window encased)
Dial	Aluminum, black graduations on white background
Pointer	Fixed, aluminum, black powder coated
Window	Plain glass

(Other options: please consult our technical department)

CE conformity: The device complies with the legal requirements of current European Directives.

BAMO INTERNATIONAL

22, Rue de la Voie des Bans · Z.I. de la gare · 95100 ARGENTEUIL

Tel +33 (0)1 30 25 83 20 Web www.bamo.eu

Fax +33 (0)1 34 10 16 05 E-mail export@bamo.fr

Pressure gauge with bourdon
tube and glycerine filling
P60.5

13-03-2025

D-812.11-EN-AD

PR

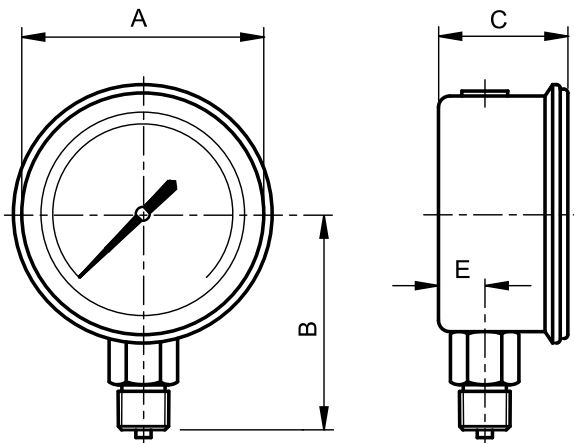
812-11 /1

CODES AND REFERENCES

Code	Reference	Measuring range
812 110	63P60.5 0...1.6	0...1,6 bar
812 111	63P60.5 0...2.5	0...2,5 bar
812 112	63P60.5 0...4	0...4 bar
812 113	63P60.5 0...6	0...6 bar
812 114	63P60.5 0...10	0...10 bar
812 115	63P60.5 0...16	0...16 bar
812 116	63P60.5 0...25	0...25 bar

For all other models, please consult our technical services

DIMENSIONS



Ø	A	B	C	E
63	62,2	68,8	32,9	11,5

BAMO INTERNATIONAL

22, Rue de la Voie des Bans · Z.I. de la gare · 95100 ARGENTEUIL

Tel +33 (0)1 30 25 83 20 Web www.bamo.eu

Fax +33 (0)1 34 10 16 05 E-mail export@bamo.fr

Pressure gauge with bourdon
tube and glycerine filling
P60.5

13-03-2025

D-812.11-EN-AD

PR

812-11/2