

Level switches with micro-switch BSM 501 - BSM 515



- High switching power
- Bistable switch
- Protection: IP 65

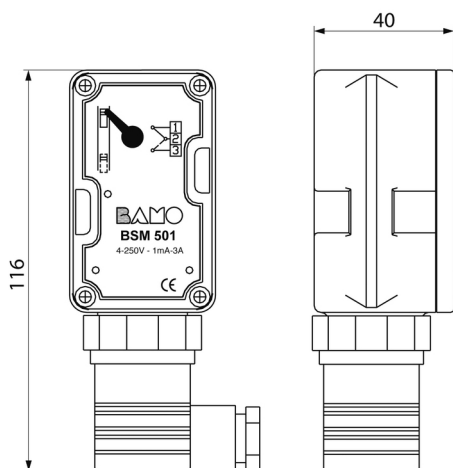
PRINCIPLE

A magnetic handle is actuated by an external float or counterweight, it operates the micro-switch causing electrical contact.

Components, such as screw terminal, are fitted on PCB; Device is rated IP 65; Connector is a 3-pole cable plug acc. DIN EN 175301, with PE terminal 13.5; Pipe clamps allow fitting on tube diameters 32 to 63 mm.

TECHNICAL FEATURES

Rated voltage	4 ... 250 V AC; 4 ... 30 V DC
Rated current	1 mA ... 3 A (AC or DC)
Contact	Bistable micro-switch, change-over contact
Gap between 2 switches	40 mm, as a minimum, plans at 120°
Connector	Dismantable; 3-pole cable plug acc. DIN EN 175301
Electrical connection	Cable cross section: 1.5 mm ² max.
Cable output	PG 13.5
Ambient temperature	-20 ... +90 °C
Housing	Polycarbonate
Fittings	Pipe clamps, or stainless steel or plastic acc. O.D.
Protection	IP 65 according to EN 60 529
CE Marks	Acc. to Guidelines 2006/95/EG (low Voltage), 89/336/EEC (EMV)



ACTUATORS FOR BSM 501

Code	Reference	Description
570 075	GNR 51	PPH float for glass tube Ø 34.5 x 2.75 mm
570 080	GNR 52	PPH float for tube Ø 32 x 2.4 mm
570 082	GNR 53 PVDF	PVDF float for tube Ø 32 x 2.4 mm
570 085	GNR 62	PPH float for tube Ø 63 x 3 mm
583 403	CP63/SFA	Counterweight, red PVC, for tube Ø 63 x 3 mm
583 404	CP40/SFA	Counterweight, red PVC, for tube Ø 40 x 2 mm

ACTUATORS FOR BSM 515

Code	Reference	Description
560 055	F-Magtop 1	AISI 316 Float; SG = 1; P. < 16 bar; -25...+160 °C
560 056	F-Magtop 0,8	AISI 316 Float; SG = 0.8; P. < 16 bar; -25...+160 °C

CODE NUMBERS AND REFERENCES

Code	Reference	Description
585 010	BSM 501 / J	Level switch for JAR
585 100	BSM 501	Level switch for SFA, SFA/E, GNR 6, GNR 5 & FS4
585 163	BSM 501 / 63	Level switch for SFA, SFA/E & GNR 6
585 515	BSM 515 MAG	Level switch for stainless steel MAGTOP

BSM 515 is not convenient for plastic MAGTOP series.

BAMO INTERNATIONAL

22, Rue de la Voie des Bans · Z.I. de la gare · 95100 ARGENTEUIL
 Tel +33 (0)1 30 25 83 20 Web www.bamo.eu
 Fax +33 (0)1 34 10 16 05 E-mail export@bamo.fr

Level switches with
micro-switch
BSM 501 - BSM 515

30-09-2017

D-585.01-EN-AC

585-01 / 1